

Poindus

VariPOS

Smart Dual Hinged design
for the ultimate flexibility

250 S / 270 S



reddot winner 2020





Features

Flexibility meets demand with dual hinged stand allowing extreme tilt

Easy adjustment providing a solid platform allowing extremely flexible height and angle adjustment. The stand can be folded flat or adjusted to any view angle providing maximum comfort and optimal efficiency to the POS Operation.

Hidden Cable Management - Keeping Everything Organized

The Dual Hinge Stand provides hidden cable management channels to organize & reduce clutter when connecting power & accessory cables; the cables are concealed within the stand and covered with a securing plate maintaining the aesthetic look.



Powerful and Flexible VariIO I/O Box Connectivity - The Ideal Retail-Ready Solution

VariPOS250S / 270S can be combined with the dedicated VariIO I/O Box offering the standard I/O connections plus Point of Sale specific connections for Powered POS peripherals. The Extendable I/O capability meets multiple project specification with simple onboard panel I/O, advanced VariIO I/O Box functionality & basic I/O box compatibility.



Simplified Installation and Serviceability

Simplified Installation and Serviceability is designed into the VariPOS 250S / 270S providing quick and easy service for routine maintenance schedules significantly reducing engineer onsite visit time. VariIO I/O Box connected by a single custom high speed USB Type C connector can easily be disconnected leaving the I/O and peripherals in place



Detailed features

Ultra-flexible Dual-hinge Design for Compact & Stylish Systems

- Intel 6th Generation Celeron i3, i5 high-end processors in a fanless structure
- True flat 15" 4:3 LCD, 400 nits / 17" 5:4 LCD, 400 nits (LED backlight) with IP66 protection.
 - Dual Hinged Stand for Maximum Flexibility (Supports Any Angle from Flat/Low Profile to 62°/PPC 150°). Secure Base attachment (75 x 75) to surface.
 - Hidden Cable Management channels organize & reduce clutter when connecting accessory cables
 - Efficient onboard panel I/O interface (LAN + 2 USB)
 - Extendable I/O capability to meet any project specification (Optional)
 - Rich VariIO I/O Box with customization options & independently mountable features
 - Compatible with simple I/O box devices
 - Quick SWAP Design for easy maintenance
 - Peripheral compatibility across the whole VariPOS 2 Series: 2nd Display, LCM, 2D Scanner, RFID, MSR, iButton & Fingerprint

Ordering Information

VariPOS 250S/270S (Optional VariIO I/O Box)

- | | |
|------------------------------------|--|
| ▪ VariPOS 250S/270S i5-7300U/6300U | Intel® Kabylake/Skylake Core™ i5-7300U/6300U CPU |
| ▪ VariPOS 250S/270S i3-6100U | Intel® Skylake Core™ i3-6100U 2.3 GHz CPU |
| ▪ VariPOS 250S/270S Celeron 3955U | Intel® Skylake Celeron® 3955U 2.0 GHz CPU |



Multi-touch Screen



Waterproof - IP66 on Front Panel



Quick & Easy Maintenance



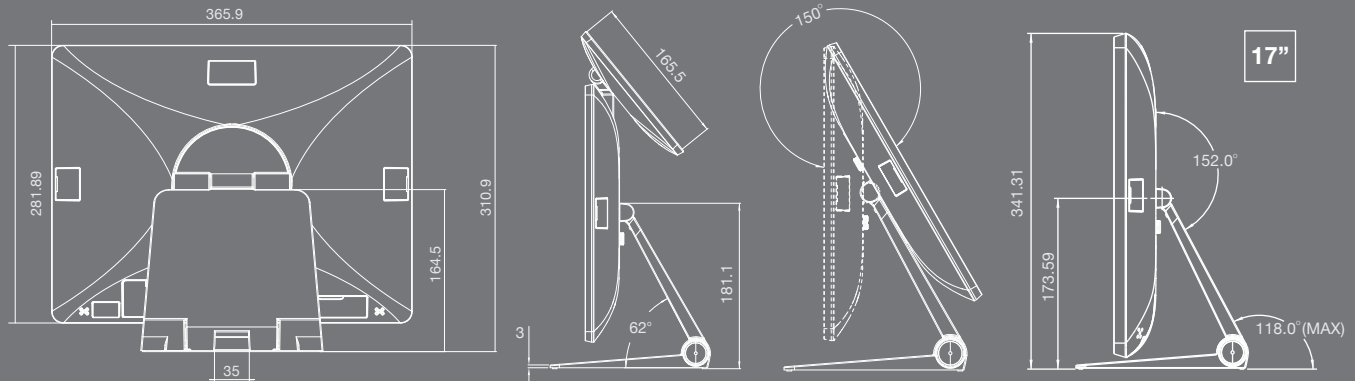
Specification

Model Name		● VariPOS 250S / 270S
Main Board	Processor	Intel® Core™ i5-7300U/6300U Processor Intel® Core™ i3-6100U Processor Intel® Celeron® Processor 3955U
	Chipset	CPU Integrated
	System Memory	1 x SO-DIMM DDR4 slot, 4GB RAM as standard. Max. memory support up to 16GB. Easy access with secured cover for easy maintenance.
	TPM	Intel F/W
	Intel AMT	Only i5 CPU
Display & Touch	LCD Size	15" - 4:3 / 17" - 5:4 TFT LCD (LED backlight)
	Brightness	15" / 17" - 400 nits
	Resolution	15" - 1024 x 768 (4:3) / 17" - 1280 x 1024 (5:4)
	Touch	True Flat Projected Capacitive Technology
Storage	HDD/SSD	1 x SATA III (2.5")
Panel I/O	LAN Port	1 x Gigabit Ethernet by RJ-45
	USB Port	2 x USB 3.0
	Speaker	HD Audio, 2W Speaker x 2
	Power Switch	1 x power on/off button
VariIO I/O Box & Expansion (Optional)	Cash Drawer	1 x RJ-11 (Support DC +12V or +24V (default)) port supports 2 cash drawers
	LAN port	1 x Gigabit Ethernet by RJ-45
	USB port	2 x USB 3.0; 4 x USB 2.0
	Powered USB Port (Optional)	2 x DC+12v Powered USB 1 x DC+24v Powered USB
	COM port	4 x RS-232 (jumper setting, support DC+0/5/12v, default setting is 0v)
OS Support		Windows 10 2016 IOT (64bit) / Windows 8.1 (64bit) / Windows 7 (32bit / 64bit) (Intel® Kabylake Core™ i5-7300U supports Win 10 64bit)
Power Adapter (External adapter)		External adapter, DC Model : Voltage:+19VDC, Std. 180watt (*VariIO PUSB) External adapter, DC Model : Voltage:+19VDC, Std. 90watt (*VariPOS 250S / VariIO Non PUSB)
Compliance	Certifications	CE, FCC, LVD, RoHS
	Protection	IP 66 on front panel
Material		Main Unit: Die-Cast Aluminum
Color		Main Unit: Space Gray
Dimension (W x H x D mm)		PPC: 365.89 x 281.89 x 43.23 (15") / 396.93 x 329.47 x 42.75 (17") mm
Environmental Condition	Operating	0°C ~ 40°C, 10% ~ 90% RH, non-condensing
	Storage	-20°C ~ 60°C, 10% ~ 90% RH, non-condensing

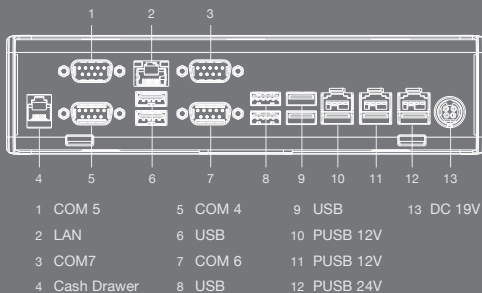
Model Name		• VariPOS 250S / 270S
Optional Accessories	MSR	ISO 3-Tracks Slim MSR USB Type
	iButton	Dallas USB Type
	RFID	13.56Mhz USB Type
	Fingerprint	DigitalPersona, USB Type
	Scanner	2D scanner, USB Type
	2nd Display	10.1" Resolution 1280 x 800 (16:10 wide screen) USB Type, with or without True-flat P-cap 10 point Multi-touch
	LCM	2x20 USB Type
Carton	L 510 x W 230 x H 495 mm (15") / L 495 x W 315 x H 550 mm (17")	

* The right has been reserved to change the specification without prior notice

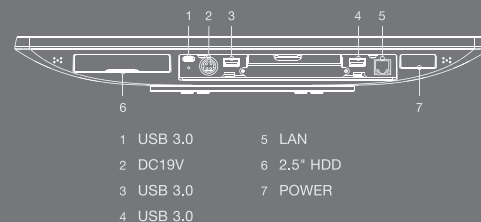
Dimensions



VariIO I/O Box (PE18)



Panel PC IO Interface (PE17)





Poindus Systems Corp. Headquarters

5F, No.59, Ln. 77, Xing-Ai Rd., Neihu Dist., Taipei City 114, Taiwan. R.O.C

☎ + 886 27721 4688

📠 + 886 27721 2289

✉ sales@poindus.com

Germany

ADASYS GmbH Elektronische Komponenten
Max-Planck-Str. 10 70806 Kornwestheim

☎ + 49 7154 83000

📠 + 49 7154 8300 599

✉ info@adasys.de

UK

12 Chancerygate Business Centre, Whiteleaf Road,
Hemel Hempstead HP3 9HD

☎ + 44 330 555 0081

📠 + 44 330 555 0082

✉ puk@poindus.com